

Product: **Pre-threaded 18 x 12 mm (no TE ring, welded edge)**
 Bottle Neck finish: **DIN 6094-7; GME 305C; GF 305 (no TE ring, straight edge)**

Shell Material	
Al Composition	EN AW-8011A Al Fe Si (A) EN541/EN573-3
Al Condition	H14
Specific gravity g/cm ³	2.71
Tensile strength Rm MPa	120 - 160
Elongation. A50, % min	≥2.0
Anisothropy, % max	≤2.0
Material Thickness, mm	0.21 ±0.01

Closure Characteristics	
Outside diameter , mm	Ø 18.7 / 20.0 or 18.7 / 19.2 ±0.3
Height, mm	11.9 or 12.2 ±0.2
Inside diameter, mm	Ø 16.8 min
Weight without liner, g.	0.55 ± 5%
Internal lacquer type	Modified epoxy
External lacquer type	Modified polyester
Resins obtained from monomers without any phenols or phthalates.	

Liner	
Liner material:	Foam polyethylene (EPE)
Liner thickness, mm	1.4 ±10%
Liner weight, g	0.09 ±10%

User has to verify the closures suitability with the specific bottled product and to guarantee the absence of chemical and organoleptic alterations.

Food Contact Approval

All materials intended to come into contact with food are in conformity with the European Community directives, the relevant national regulations and the relevant FDA requirements.

All products comply with Commission directive 94/62/EC concerning heavy metals.

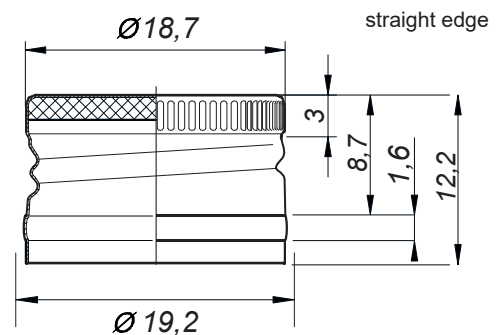
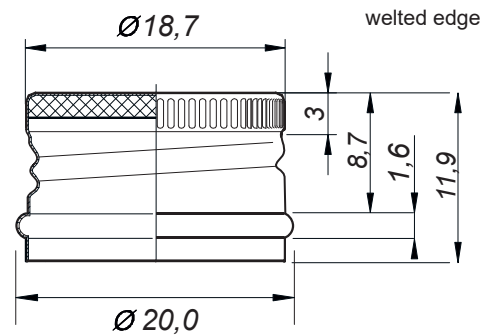
All resins and additives used for inside lacquer production comply with the following Regulations:

Commission directive 2002/72/ EC of 6 August 2002 relating to plastic materials and articles intended to come into contact with foodstuffs.

FDA regulation; CFR 21, chapter 175.300 Resinous and polymeric coatings

Packaging specification

Quantity, pcs.	16 000 pcs	Pallet type – Euro pallet	Dimension 1200 x 800 x*
Box Dimension, mm	600 x 400 x 360 mm	* Height of the pallet may vary with customers' requirements	
Cardboard Type	Corrugated five layer cardboard		
Polyethylene Sack	Polyethylene –non-toxic, antistatic <100 ppm Pb, Cd, HgCr⁺⁶	Outside packing	Stretch wrapped
Adhesive Strip (Scotch)	50 mm		
Product Identification	Labelling	Pallet identification	Labelling



Notes: Closures shall be stored in a well-ventilated place avoiding direct sunlight and strong odour for the period of 2 years. Pallets shall not be stacked.