

Product: Pilfer – Proof **17 x 12 mm**

Shell Material

Al Composition	EN AW-8011A Al Fe Si (A) EN541/EN573-3
Al Condition	H14
Specific gravity g/cm ³	2.71
Tensile strength Rm MPa	110 - 150
Elongation. A50, % min	≥3.0
Anisothropy, % max	≤2.0
Material Thickness, mm	0.20 ± 0.01

Closure Characteristics

Outside diameter , mm	∅ 17.6 ± 0.3
Height, mm	12.2 ± 0.2
Inside diameter, mm	∅ 17.1 min
Weight without liner, g.	0.38 ± 5%
Internal lacquer type	Modified epoxy
External lacquer type	Modified polyester
Resins obtained from monomers without any phenols or phthalates.	

Recommended application details:

Head pressure force, N	350-600
Side roller pressure force, N	70-100
Undertuck roller pressure force, N	60-90

Removal Torque:

Bridges Breaking Torque, N.m.	0.22 – 0.67
-------------------------------	--------------------

NOTE: REMOVAL TORQUES ARE DEPENDANT ON VARIATIONS IN GLASS AND APPLICATION CONDITIONS.

LINER

Liner material:	Foam polyethylene
Liner thickness, mm	1.3 ± 10%
Liner density, kg/m ³	300
User has to verify the closures suitability with the specific bottled product and to guarantee the absence of chemical and organoleptic alterations.	

Food Contact Approval

All materials intended to come into contact with food are in conformity with the European Community directives, the relevant national regulations and the relevant FDA requirements.

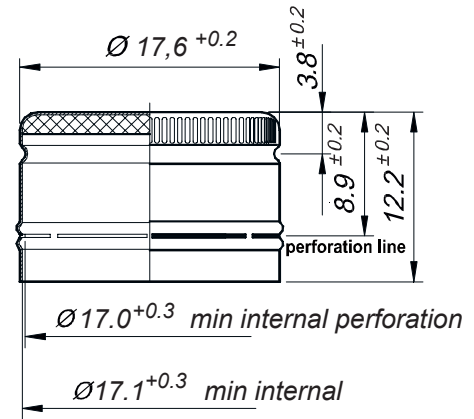
All products comply with Commission directive 94/62/EC concerning heavy metals.

All resins and additives used for inside lacquer production comply with the following Regulations:

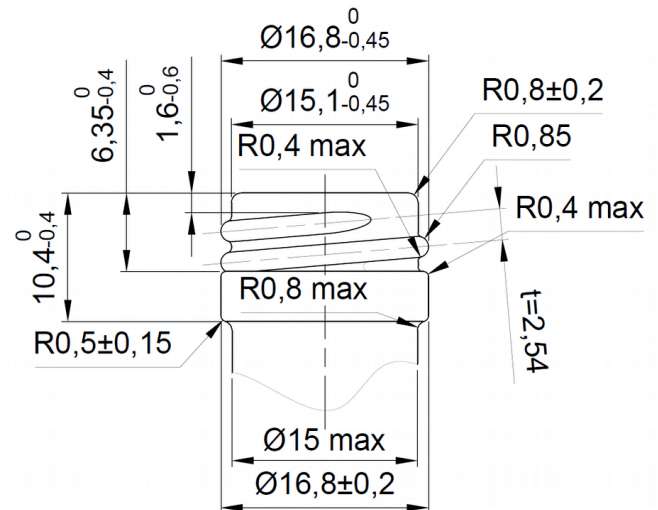
Commission directive 2002/72/ EC of 6 August 2002 relating to plastic materials and articles intended to come into contact with foodstuffs.

FDA regulation; CFR 21, chapter 175.300 Resinous and polymeric coatings

Closure Drawing



Relevant Bottle Neck Drawing



Packaging specification

Quantity, pcs.	18 000 pcs	Pallet type – Euro pallet	Dimension 1200 x 800 x*
Box Dimension, mm	600 x 400 x 370 mm		* Height of the pallet may vary with customers' requirements
Cardboard Type	Corrugated five layer cardboard	Outside packing	Stretch wrapped
Polyethylene Sack	Polyethylene –non-toxic, antistatic		
	<100 ppm Pb, Cd, HgCr⁺⁶	Pallet identification	Labelling
Adhesive Strip (Scotch)	50 mm		
Product Identification	Labelling		

Notes: Closures shall be stored in a well-ventilated place avoiding direct sunlight and strong odour for the period of 1 year. Pallets shall not be stacked.