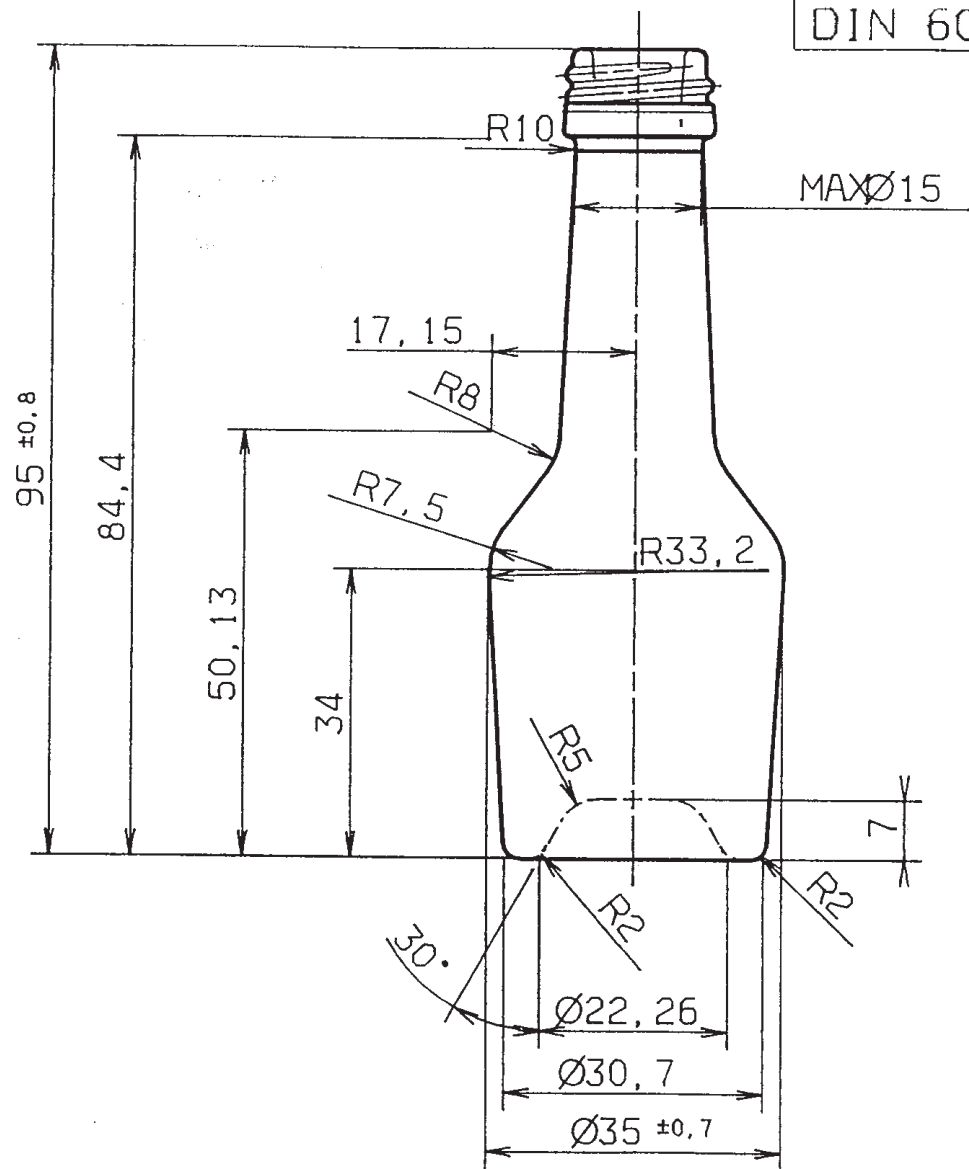



PP18 STD
DIN 6094



DATE	REVISIONS	CAP. FILLPT.	20 ml.			ADPACK group sro
20/10/2007		CAP. BRIMF.	22 ± 1,2 ml.			
		FINISH	PP 18	MOLD No.	519007	BOTTLE
		HEIGHT	95 ± 0,8 mm	MACHINE	DG 5 1/2"	Glass - mini
		DIAMETER	35 ± 0,7 mm	COLOUR	CLEAR	CAT. No
		WEIGHT	60 g	UNITS PER PALLET	11 340	M 0204