

Product: **GPI 400-38**

**Shell Material (Aluminium part)**

Al Composition	<b>EN AW-8011A</b>
Al Condition	<b>H14</b>
Tensile strength Rm MPa	<b>110 - 150</b>
Elongation. A50, % min	<b>≥ 3</b>
Anisotropy, % max	<b>≤ 2</b>
Material Thickness, mm	<b>0.21 ± 0,01</b>

**Lacquers and inks (aluminium part)**

Internal lacquer type	<b>Mod. Polyester</b>
External lacquer type	<b>Mod. Polyester</b>
External ink type	<b>Alkyd</b>

**Plastic Part**

Body with thread	<b>High Density Polyethylene (HDPE) + Polypropylene (PP)</b>
------------------	--

**Liner**

Liner material:	Foam polyethylene (EPE)
Liner thickness, mm	<b>1.8</b>
Liner weight, g	<b>∅ 37.0</b>

**Note:** Tolerances for liners are +/-0.15 mm for thickness and diameter. The liner depends on the application or on the customer's requirement.

**Food Contact Approval**

All materials intended to come into contact with food are in conformity with the European Community directives, the relevant national regulations and the relevant FDA requirements.

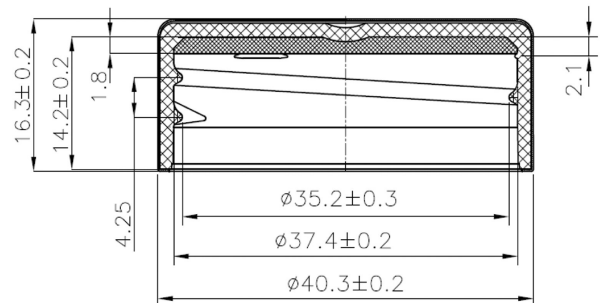
All products comply with Commission directive 94/62/EC concerning heavy metals.

All resins and additives used for inside lacquer production comply with the following Regulations:

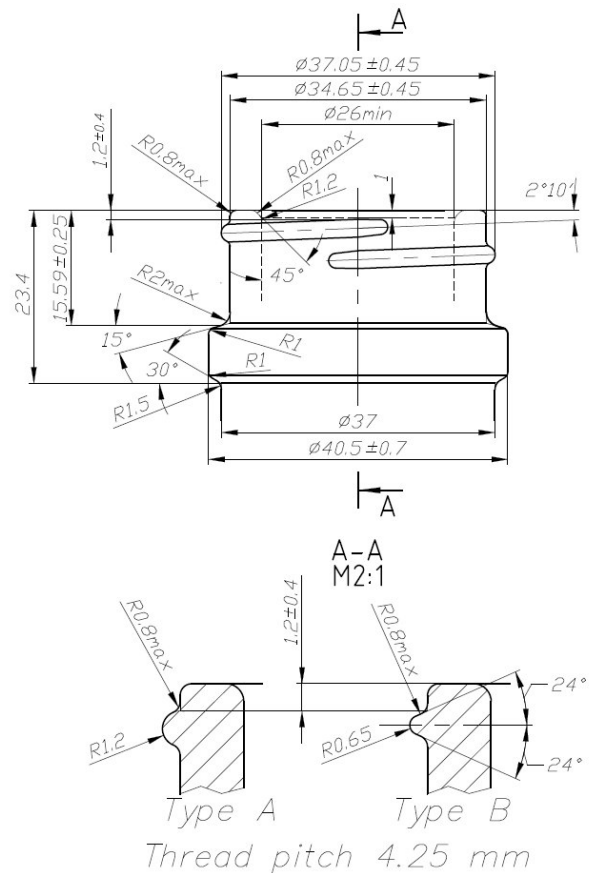
- Commission directive 10/2011 relating to plastic materials and articles intended to come into contact with foodstuffs.
- FDA regulation; CFR 21, chapter 175.300 Resinous and polymeric coatings

User has to verify the closures suitability with the specific bottled product and to guarantee the absence of chemical and organoleptic alterations.

**Closure Drawing**



**Relevant Bottle Neck Drawing**



**Packaging specification**

Quantity, pcs.	<b>1 700 pcs</b>	Pallet type – Euro pallet	<b>Dimension</b> <b>1200 x 800 x 1950 mm</b>
Box Dimension (internal), mm	<b>400 x 400 x 300 mm</b>	Outside packing	<b>Stretch wrapped</b>
Cardboard Type	<b>Corrugated five layer cardboard</b>	Pallet identification	<b>Labelling</b>
Polyethylene Sack	<b>Polyethylene –non-toxic, antistatic &lt;100 ppm Pb, Cd, HgCr<sup>+6</sup></b>		
Adhesive Strip (Scotch)	<b>50 mm</b>		
Product Identification	<b>Labelling</b>		

**Notes:** Closures shall be stored in a well-ventilated place avoiding direct sunlight and strong odour for the period of 1 year. Pallets shall not be stacked.